



PM8005/6

Panel Meter



- AC and DC supply options
- 6 digit LED display
- Direct access menu
- Functions for calibration, alarm setting and more
- Wide range of optional functions



Description

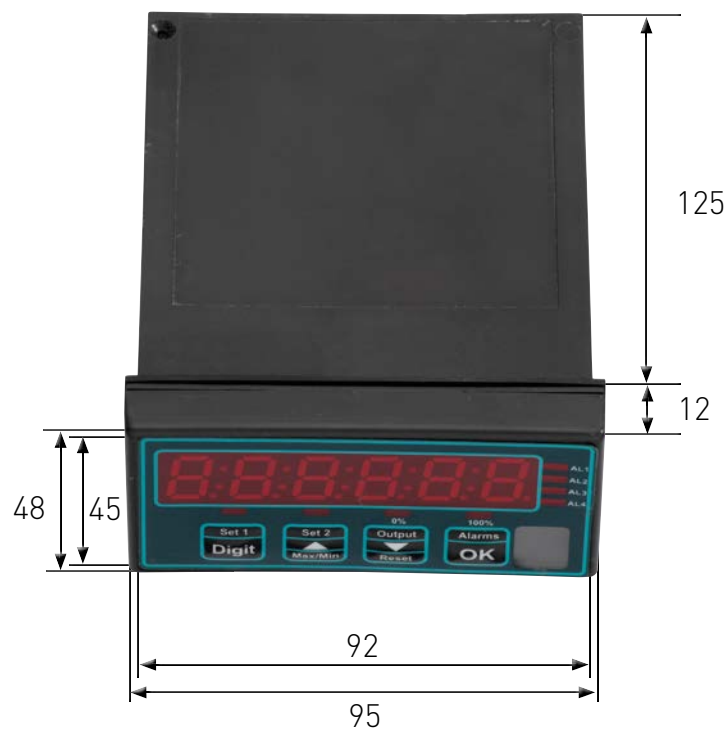
The PM8000 Series digital panel meters are easy to set up and commission, whilst offering extremely high precision and long term reliability.

A MENU-FREE calibration system is employed with this panel meter design. This makes calibration and set-up of operating parameters very straightforward and radically simplifies this process compared with the usual menu arrangement used on most digital meters. The menu in this case is replaced by simple push buttons enabling zero, span, analogue output or alarms to be adjusted via buttons on the front of the panel.

The 6 digit red LED display is standard, providing +/-30,000 count resolution and an accuracy of 0.10% of range. Input signals include 4-20 mA, 0-10 mV, 1-5 V and 0-10 mA. A 24 V sensor excitation supply is provided and can be used to power an external transmitter current loop.

Optional features include; AC or DC excitation, 4-20 mA or 0-10 Vdc analogue output, zero, two or four alarms/relays, various serial data outputs and splash proof cover. Please contact us with your specifications and we will advise you on the suitable model for your application.

Dimensions (in mm)



Technical Data

Type	PM8005 / PM8006
Display:	High intensity red LED display, 14 mm digit height.
Display Update Rate:	10 readings per second
Resolution:	1 in 400,000 counts maximum over full range, with 6 Digit Display (-199999 to +199999)
Input Resistance:	33 Ω for current input, 1 M Ω for voltage
Filtering/ Smoothing:	Selectable time constant of 0 to 5 seconds
Accuracy:	± 0.05 % of range
Temperature Stability:	25 ppm/ $^{\circ}$ C span, 30 ppm/ $^{\circ}$ C offset
Output for External Sensors:	24 VDC
Current Capacity of Excitation Supply:	60 mA for 24 VDC
Power Supply:	Optional 95 to 265 VAC, 11 to 30VDC
Current Consumption:	10VA maximum
Temperature Range:	Operating: 0 $^{\circ}$ C to + 50 $^{\circ}$ C (32 $^{\circ}$ F to +122 $^{\circ}$ F); Storage: -20 $^{\circ}$ C to + 70 $^{\circ}$ C (-4 $^{\circ}$ F to +158 $^{\circ}$ F)
Electromagnetic Capability:	EMC EN61326-1:1997, Safety EN61010-1:2001; Certification CE marked
Electrical Connection:	Detachable screw terminal connector for conductor size 0.5 mm ² to 1.5 mm ²
Bezel Size:	96 mm wide x 48 mm high (1/8 DIN)
CutOut Size:	92 mm wide x 45 mm high
Depth behind Panel:	125 mm minimum required
Weight:	300 grams typically
Case Material:	Black polycarbonate. Optional splash proof cover available.
Net. Weight (Kg):	0.4 Kg

Technical Data

Model		Excitation		Analogue Output		Alarm		Serial Output	Power Supply	Analogue Output	Number of Alarms	Serial Output
Standard 5 Digit Panel Meters Without Features												
PM8005	-	AC							95-265Vac	No	No	No
PM8005	-	VDC							11-30Vdc	No	No	No
Panel Meters With Options - AC Mains Supply												
PM8006	-	AC	-	I					95-265Vac	4-20mA	No	No
PM8006	-	AC	-	I	-	AL2			95-265Vac	4-20mA	2	No
PM8006	-	AC	-	I	-	AL4			95-265Vac	4-20mA	4	No
PM8006	-	AC	-	I	-	AL2	-	232	95-265Vac	4-20mA	2	RS232
PM8006	-	AC	-	I	-	AL4	-	232	95-265Vac	4-20mA	4	RS232
PM8006	-	AC	-	I	-	AL2	-	485	95-265Vac	4-20mA	2	RS485
PM8006	-	AC	-	I	-	AL4	-	485	95-265Vac	4-20mA	4	RS485
PM8006	-	AC	-	V					95-265Vac	0-10Vdc	No	No
PM8006	-	AC	-	V	-	AL2			95-265Vac	0-10Vdc	2	No
PM8006	-	AC	-	V	-	AL4			95-265Vac	0-10Vdc	4	No
PM8006	-	AC	-	V	-	AL2	-	232	95-265Vac	0-10Vdc	2	RS232
PM8006	-	AC	-	V	-	AL4	-	232	95-265Vac	0-10Vdc	4	RS232
PM8006	-	AC	-	V	-	AL2	-	485	95-265Vac	0-10Vdc	2	RS485
PM8006	-	AC	-	V	-	AL4	-	485	95-265Vac	0-10Vdc	4	RS485
PM8006	-	AC	-			AL2			95-265Vac	No	2	No
PM8006	-	AC	-			AL4			95-265Vac	No	4	No
PM8006	-	AC	-			AL2	-	232	95-265Vac	No	2	RS232
PM8006	-	AC	-			AL4	-	232	95-265Vac	No	4	RS232
PM8006	-	AC	-			AL2	-	485	95-265Vac	No	2	RS485
PM8006	-	AC	-			AL4	-	485	95-265Vac	No	4	RS485
PM8006	-	AC	-					232	95-265Vac	No	No	RS232
PM8006	-	AC	-					485	95-265Vac	No	No	RS485

Order Codes

Model		Excitation		Analogue Output		Alarm		Serial Output	Power Supply	Analogue Output	Number of Alarms	Serial Output
-------	--	------------	--	-----------------	--	-------	--	---------------	--------------	-----------------	------------------	---------------

Panel Meters With Options - DC Supply

For all options with 95-265Vac supply please substitute 'AC' with 'VDC'

PM8006	-	VDC	-	I					11-30Vdc	4-20mA	No	No
PM8006	-	VDC	-	I	-	AL2			11-30Vdc	4-20mA	2	No
PM8006	-	VDC	-	I	-	AL4			11-30Vdc	4-20mA	4	No
PM8006	-	VDC	-	I	-	AL2	-	232	11-30Vdc	4-20mA	2	RS232
PM8006	-	VDC	-	I	-	AL4	-	232	11-30Vdc	4-20mA	4	RS232
PM8006	-	VDC	-	I	-	AL2	-	485	11-30Vdc	4-20mA	2	RS485
PM8006	-	VDC	-	I	-	AL4	-	485	11-30Vdc	4-20mA	4	RS485
PM8006	-	VDC	-	V					11-30Vdc	0-10Vdc	No	No
PM8006	-	VDC	-	V	-	AL2			11-30Vdc	0-10Vdc	2	No
PM8006	-	VDC	-	V	-	AL4			11-30Vdc	0-10Vdc	4	No
PM8006	-	VDC	-	V	-	AL2	-	232	11-30Vdc	0-10Vdc	2	RS232
PM8006	-	VDC	-	V	-	AL4	-	232	11-30Vdc	0-10Vdc	4	RS232
PM8006	-	VDC	-	V	-	AL2	-	485	11-30Vdc	0-10Vdc	2	RS485
PM8006	-	VDC	-	V	-	AL4	-	485	11-30Vdc	0-10Vdc	4	RS485
PM8006	-	VDC	-			AL2			11-30Vdc	No	2	No
PM8006	-	VDC	-			AL4			11-30Vdc	No	4	No
PM8006	-	VDC	-			AL2	-	232	11-30Vdc	No	2	RS232
PM8006	-	VDC	-			AL4	-	232	11-30Vdc	No	4	RS232
PM8006	-	VDC	-			AL2	-	485	11-30Vdc	No	2	RS485
PM8006	-	VDC	-			AL4	-	485	11-30Vdc	No	4	RS485
PM8006	-	VDC	-				-	232	11-30Vdc	No	No	RS232
PM8006	-	VDC	-				-	485	11-30Vdc	No	No	RS485

Model		Excitation		Analogue Output		Alarm		Serial Output	Power Supply	Analogue Output	Number of Alarms	Serial Output
-------	--	------------	--	-----------------	--	-------	--	---------------	--------------	-----------------	------------------	---------------

Panel Meters With Features: AC Mains Supply, mV Input

PM8006	-	AC	-	MV					95-265Vac	No	No	No
--------	---	----	---	----	--	--	--	--	-----------	----	----	----

DISCLAIMER : ESI Technology Ltd operates a policy of continuous product development. We reserve the right to change specification without prior notice. All products manufactured by ESI Technology Ltd are calibrated using precision calibration equipment, traceable to national measurement standards.