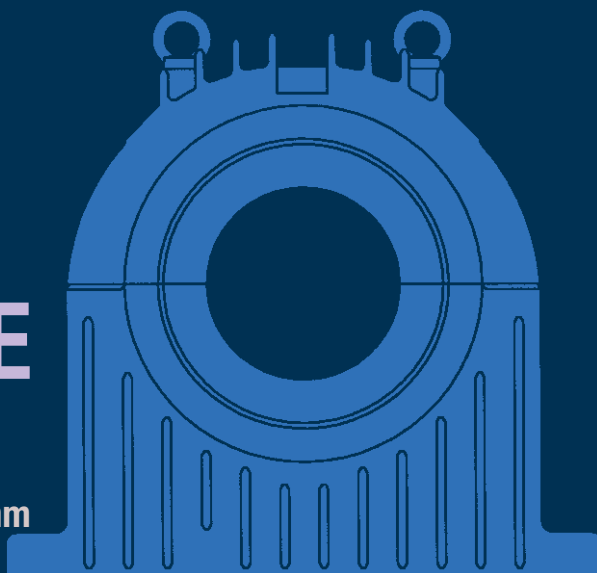




Innovative Power Transmission

Slide Bearings Type E

Series EG/ER Journal Range 300-560 mm



RENK Slide Bearings Type E

① Type	E												
② Housing	R finned, foot-mounted G unfinned, foot-mounted												
③ Heat dissipation	<table> <tr><td>N</td><td>natural cooling</td></tr> <tr><td>Z</td><td>lubrication by oil circulation with external oil cooling</td></tr> <tr><td>X⁹⁾</td><td>lubrication by circulation with external oil cooling for high oil throughput</td></tr> <tr><td>W⁹⁾</td><td>water cooling (finned tubes in oil sump)</td></tr> <tr><td>U</td><td>circulating pump and natural cooling</td></tr> <tr><td>T</td><td>circulating pump and water cooling (finned tubes in oil sump)</td></tr> </table>	N	natural cooling	Z	lubrication by oil circulation with external oil cooling	X ⁹⁾	lubrication by circulation with external oil cooling for high oil throughput	W ⁹⁾	water cooling (finned tubes in oil sump)	U	circulating pump and natural cooling	T	circulating pump and water cooling (finned tubes in oil sump)
N	natural cooling												
Z	lubrication by oil circulation with external oil cooling												
X ⁹⁾	lubrication by circulation with external oil cooling for high oil throughput												
W ⁹⁾	water cooling (finned tubes in oil sump)												
U	circulating pump and natural cooling												
T	circulating pump and water cooling (finned tubes in oil sump)												
④ Shape of bore and type of lubrication	<table> <tr><td>C⁹⁾</td><td>plain cylindrical bore, without oil ring</td></tr> <tr><td>L</td><td>plain cylindrical bore, loose oil ring lubrication</td></tr> <tr><td>F⁹⁾</td><td>plain cylindrical bore, fixed oil ring lubrication</td></tr> <tr><td>Y⁹⁾</td><td>two-lobe bore (lemon shape), without oil ring</td></tr> <tr><td>V⁹⁾</td><td>four lobe bore, without oil ring</td></tr> <tr><td>K⁹⁾</td><td>radial tilting pad, without oil ring</td></tr> </table>	C ⁹⁾	plain cylindrical bore, without oil ring	L	plain cylindrical bore, loose oil ring lubrication	F ⁹⁾	plain cylindrical bore, fixed oil ring lubrication	Y ⁹⁾	two-lobe bore (lemon shape), without oil ring	V ⁹⁾	four lobe bore, without oil ring	K ⁹⁾	radial tilting pad, without oil ring
C ⁹⁾	plain cylindrical bore, without oil ring												
L	plain cylindrical bore, loose oil ring lubrication												
F ⁹⁾	plain cylindrical bore, fixed oil ring lubrication												
Y ⁹⁾	two-lobe bore (lemon shape), without oil ring												
V ⁹⁾	four lobe bore, without oil ring												
K ⁹⁾	radial tilting pad, without oil ring												
⑤ Thrust parts	<table> <tr><td>Q</td><td>without thrust parts (non-locating bearing)</td></tr> <tr><td>B</td><td>plain sliding surfaces (locating bearing)</td></tr> <tr><td>K</td><td>taper land faces for both senses of rotation (locating bearing)</td></tr> <tr><td>E</td><td>taper land faces for one sense of rotation (locating bearing)</td></tr> <tr><td>A</td><td>elastically supported circular tilting pads (locating bearing)</td></tr> </table>	Q	without thrust parts (non-locating bearing)	B	plain sliding surfaces (locating bearing)	K	taper land faces for both senses of rotation (locating bearing)	E	taper land faces for one sense of rotation (locating bearing)	A	elastically supported circular tilting pads (locating bearing)		
Q	without thrust parts (non-locating bearing)												
B	plain sliding surfaces (locating bearing)												
K	taper land faces for both senses of rotation (locating bearing)												
E	taper land faces for one sense of rotation (locating bearing)												
A	elastically supported circular tilting pads (locating bearing)												

Example

for quoting a slide bearing type EG, circulating oil system with external oil cooling, plain cylindrical bore with loose oil ring (for emergency lubrication), thrust part with elastically supported circular tilting pads, size 35, shaft diameter 355 mm:

① ② ③ ④ ⑤

slide bearing E G Z L A 35-355

The main dimensions of the shell with plain cylindrical bore (EG.C.) and of the two-lobe bore shell (EG.Y.) are similar to the dimensions of the shell type EG.L. (plain cylindrical bore, loose oil ring lubrication) shown in the catalogue. Information on bearings with fixed oil ring, four-lobe bore and radial tilting pads available upon request.

- 1) Seal diameters (D_S) are possible with every shaft diameter of one size.
- 2) This dimension is about 2 mm larger in case of insulated bearings.
- 3) Bore available on both sides.
- 4) Dimension refers to design with loose oil ring.
- 5) Rough bore for later fitting of cylindrical or taper pin.
- 6) Valid for finned housings
- 7) Flange DIN 2573
- 8) Number on each side
- 9) Data upon request

All weight values indicated in this catalogue are average, non-binding values. The drawings shown are not strictly binding.

We reserve the right to changes made in the interests of technical improvement.

This brochure gives details of a range of E-bearings, shaft diameters 300 to 560 mm, suitable for use on electrical machines, fans, water turbines and pumps.

For information on E-bearings with smaller shaft diameters refer to the corresponding RENK brochures.

Bearing Housing

The finned ER and the unfinned EG housings size 35 to 45 are made of high quality cast iron (EN-GJL-300) and are designed for heavy duty performance. Other materials, such as for instance EN-GJS-400-18-LT or GS 45 can be supplied in special cases.

Bearing Shells

The shells are manufactured from steel (C 10) and have a spherical seating. They are lined with RENKmetal therm 89 and the working surfaces and the oilways are configured to give long life under severe operating conditions. Being fully interchangeable ensures trouble free assembly at all times.

E-type bearing sizes 35 to 45 are mostly equipped with shells having a plain cylindrical bore and a natural cooling form. However, shells suitable for connection to an external oil circulation system are also available. If required, shells with two lobe bore ("lemon bore"), four lobe bore or with radial tilting pads can also be supplied.

Dimensions of oil outlet

The oil outlet pipes are mounted to the housing by means of a SAE flange. The X design can be provided with larger oil outlet pipes, depending on the necessary quantity of lubricant.

Apart from bearings without thrust parts (type...Q) there are shells with plain white-metal lined shoulders (type...B) to absorb non-continuous axial loads of limited magnitude, as well as shells with bi-directional taper land faces (type...K) which can absorb axial loads of medium magnitude.

Alternatively the taper land faces can be supplied suitable for only one sense of rotation (type...E) to absorb high axial loads.

For high thrust loads elastically supported circular tilting pads (RD thrust pads) are fitted in the ends of the shell (type...A). The cup springs supporting the RD thrust pads have damping properties and can also absorb any shock loads elastically.

Seals

For normal applications the E-type bearings sizes 35 to 45 are equipped with rigid seals (type 20). These seals are made of corrosion resistant aluminium alloys and correspond to protection grade IP 44. Special types of seals (e.g. air seals, or seals of higher protection grades) are also available on request.

Oil Supply

Self contained oil bath lubrication, by means of two loose oil rings, is supplied for shaft speeds up to 20 m/s. The loose oil rings take the lubricant direct to the shaft. If the bearings are supplied with

cool oil from an external lubricating system, the loose oil rings can be retained as a back-up for shaft speeds up to 26 m/s. Such an arrangement will permit emergency shut-down without damage to the shells.

Lubrication by loose oil ring is also possible for marine applications. Further details upon request. Information on E-bearings with lubrication by fixed oil ring (ERNF.) or without oil ring (EGXC./EGXY/EGXV./EGXK.) upon request.

An external oil lubrication system can be used in addition to self-lubrication or it can be operated as oil supply unit for the bearing.

When the bearing is subject to frequent reversals, or if the type...A needs large quantities of oil, a pump is fitted to the bearing to suck cool oil from the bearing sump and deliver it to the oil inlet position. Filters and oil cooler can be incorporated into the oil circulation system.

Electrical Insulation

To prevent problems from electrical eddy current, the bearings (ER/EG) can be electrically insulated. In such cases the spherical seating of the shell is coated with a layer of insulating plastic material.

Heat Dissipation

Frictional heat generated is usually dissipated by radiation and natural convection.

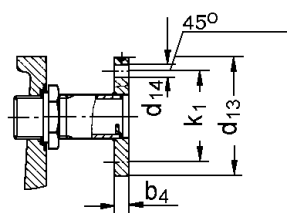
Water cooling can also be used, through seawater resistant cooling tubes submerged in the oil sump. Dimensions for connection upon request.

Temperature Control

Two independent commercially available thermosensors can be used for monitoring the temperature of the bearing. We recommend the use of RENK resistance thermo-meters; alternatively RENK angle thermometers for direct visual reading.

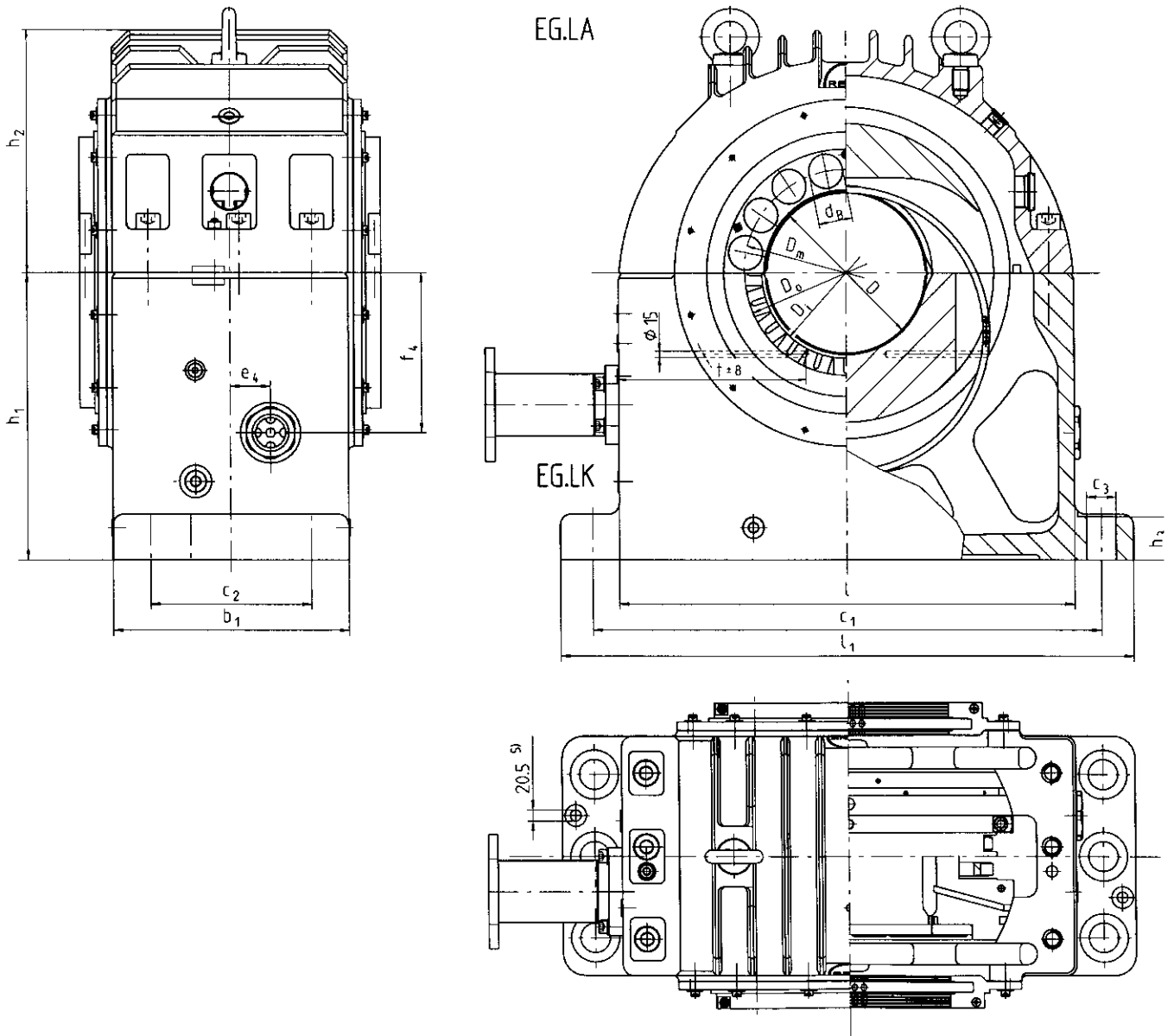
Oil Selection

Generally, any branded oil of low foaming tendency can be used as a lubricant. The correct viscosity for each operating condition will be determined by EDP calculation. Such calculations are always carried out at the design stage. A print-out of the results can be provided on request.



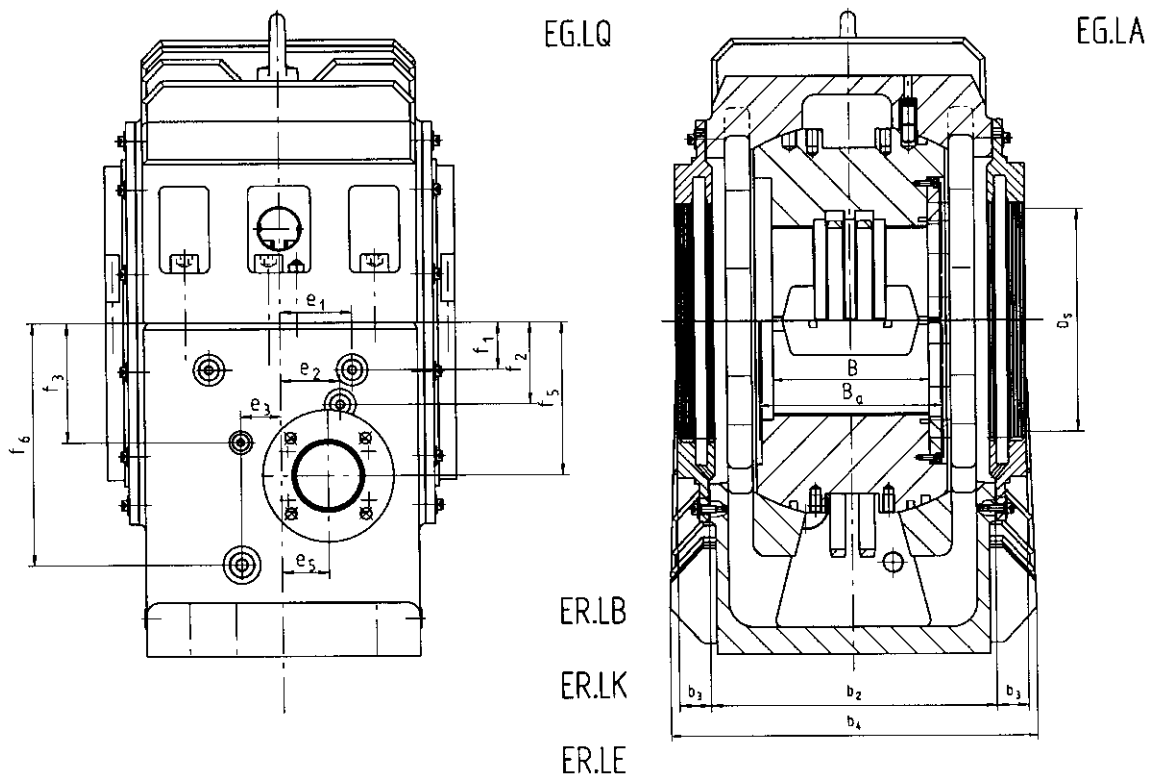
size	design Z					
	oil outlet	l / min	b ₄	d ₁₃	d ₁₄	k ₁
35	DN 65	28	16	160	14	130
45	DN 80	42	18	190	18	150

Dimensions of Bearings



Dimensions in mm

Size	D	B	B _a	D _i	D _o	D _m	d _B	RD-thrust pads ⁸⁾	b ₁	b ₂	b ₄ ⁶⁾	h ₁	h ₂	h ₃	l	l ₁	c ₁	c ₂
35	300	254	300 -0,28	320	385	390	63	16	440	460	590	530	430	80	850	1070	950	300
	315			335	400	405		18										
	335			355	425	425		20										
	355	263,2		375	450	445	50	24										
	375			395	470	455												
	400			420	495	470												
	425			445	515	—												
450	—	—	—	—														
45	375	318,8	375 -0,28	400	480	485	80	16	530	550	710	600	570	95	1030	1300	1150	355
	400			425	505	510		18										
	425			450	530	535		20										
	450	475		555	560	63	26											
	475	500		580	580													
	500	525		605	590													
	530	555		635	—													
	560	585		665	—	—	—											

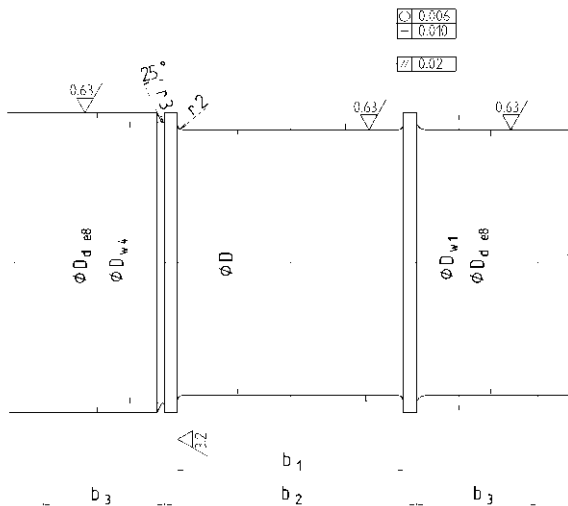


The location of the tapped holes is interchangeable.

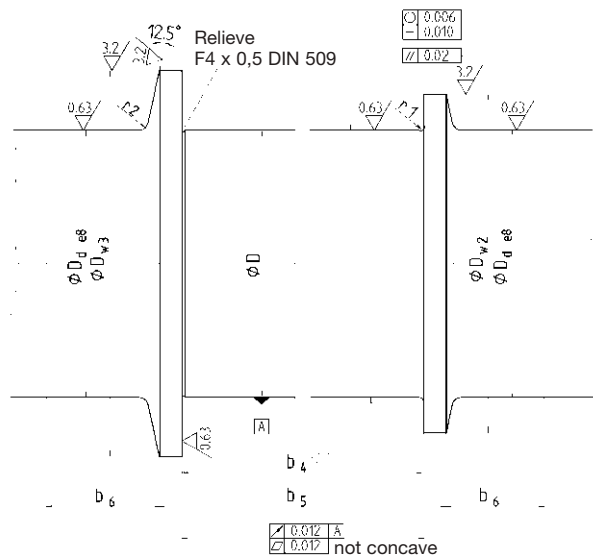
c ₃	D _S ¹⁾	b ₃ ²⁾	oil inlet for type...A		oil inlet (radial)		thermosensor ³⁾			oil sight glass		oil outlet ⁷⁾		thermosensor (oil sump) ³⁾	oil quantity l	weight kg			
			e ₁	f ₁	e ₂	f ₂	e ₃	f ₃	t	e ₄	f ₄ ⁴⁾	e ₅	f ₅ ⁴⁾				f ₆		
55 for M 42	300/315/335 355/375/400 425/450	51	G3/4	115	75	95	130	65	160	360 ± 8	G21/2	75	295	DN 65	75	262,5	385	approx. 55	approx. 1200
									170										
									180										
									190										
									200										
									210										
225																			
235																			
62 for M 48	375/400/425 450/475/500 530/560	51	G3/4	150	85	120	135	75	190	415 ± 8	G3	90	370	DN 80	90	330	420	approx. 80	approx. 2100
									205										
									215										
									230										
									245										
									255										
									270										
									285										

Shaft Dimensions

Non-locating bearing Type of bearing shell E...Q



Locating bearing Type of bearing shell E...A



Locating bearing Type of bearing shell E...B E...K E...E

Dimensions in mm

Size	D	$b_1^{4)}$	b_2	b_3	$b_4^{1)}$	b_5	b_6	D_{W1}	D_{W2}	D_{W3}	$D_d^{2)}$	$D_d / D_{W4}^{2)3)}$	r_1	r_2	r_3
35	300							335	385	458					
	315							355	400	473					
	335							375	425	493	300/315	300/ —, 315/300			
	355	315	335	130	300,5	360	115	400	450	513	335/355	335/315, 355/335	8	12	2,5
	375							425	470	510	375/400	375/355, 400/375			
	400							450	495	525	425/450	425/400, 450/425			
	425							475	515	—					
	450							500	—	—					
45	375							425	480	570					
	400							450	505	595					
	425							475	530	620	375/400	375/ —, 400/375			
	450	400	425	130	375,5	445	120	500	555	645	425/450	425/400, 450/425	10	16	4
	475							530	580	648	500/530	475/450, 500/475			
	500							560	605	658	560	530/500, 560/530			
	530							600	645	—					
	560							630	—	—					

Shafts for bearings with fixed oil ring lubrication on request.
Shafts for high oil throughput with type...A on request.

- 1) A normal axial clearance is approx. 0.6 mm. Where directional changes of axial loads or where axial shock loads can be expected (marine applications, rolling mills, fans), the dimension " b_4 " can be reduced by 0.3 mm. Where a locating bearing is required only for the test run, the axial clearance can amount to 3 to 6 mm. In this case dimension " b_6 " has to be considered.
- 2) Diameters " D_d " and " D_d/D_{W4} " apply to any shaft diameter " D " of one size.

- 3) The groove " D_{W4} " may be omitted, if " D_d " equal to or smaller than shaft diameter " D ".
- 4) If the non-locating bearing is to allow higher end floats (for instance because of heat elongation), the distance " b_1 " between the collars has to be increased, taking into consideration " b_3 ". If the shaft ends within the bearing, the length of the journal equals " b_1 ".

Tolerances of form and position follow DIN 31 699.
Degree of accuracy B 10 (radial). Degree of accuracy B 20 (axial); others upon request.

Size	shaft-Ø D [mm]	F _R (1)	F _R (2)	thrust part B	thrust part K	thrust part E	thrust part A
		[kN]	[kN]	F _A [kN]	F _A ⁽³⁾ [kN]	F _A ⁽³⁾ [kN]	F _A ⁽⁴⁾ [kN]
35	300	191	305	9	28	45	125
	315	200	320	10	29	48	140
	335	213	340	11	34	55	140
	355	225	361	13	38	63	156
	375	247	395	13	40	66	118
	400	263	421	14	42	69	118
	425	280	447	14	41	67	—
	450	296	474	—	—	—	—
45	375	299	478	13	44	72	201
	400	319	510	14	46	76	226
	425	339	542	15	49	79	226
	450	359	574	16	51	84	251
	475	391	625	17	53	89	203
	500	411	658	18	56	92	203
	530	436	698	19	59	98	—
	560	461	737	20	62	102	—

The table serves only to select the size of E-Type bearing. Before booking an order, however, it will be necessary to carry out an EDP calculation, taking into account the reciprocal influence of operating parameters.

1. Radial loads F_R in [kN] as permanent load without hydrostatic jacking (maximum value) for plain cylindrical bores.

2. Radial loads F_R in [kN] as permanent load with hydrostatic jacking (maximum value) for plain cylindrical bores.

3. Axial load F_A in [kN] as permanent load (maximum value).

4. Axial load F_A [kN] as maximum admissible load at start-up. During operation, this load can be increased by approx. 60%.

Load values for other bore shapes upon request.

Sales Agencies *)

Australia
Austria
Belgium
Brazil
Canada
Czech Republic
Croatia
Finland
France

G.B. and Ireland
India
Italy
Japan
Liechtenstein
Luxembourg
Mexico
Netherlands
Norway

PR China
Slovak Republic
Slovenia
South Africa
South Korea
Spain
Switzerland
USA

Assembly and Distribution Centers *) with Sales and Engineering Support

RENK Corporation
304, Tucapau Road
29334 Duncan S.C.
USA
Phone: (1-8 64) 4 33 00 69
Telefax: (1-8 64) 4 33 06 36
Email: bearings@renkusa.com

MAN Diesel & Turbo Japan Ltd.
RH Division
PMO Nihonbashi-Odemmacho Bldg 10F
6-8 Nihonbashi-Odemmacho
Chuo-ku, Tokyo 103-0011
Japan
Phone: (81-3) 66 67 - 24 61
Telefax: (81-3) 66 67 - 24 70
Email: renkj_hm@zab.att.ne.jp

COFICAL RENK MANCAIS DO BRASIL LTDA.
Rodovia BR-280, km 54 -
Em frente ao Parque Municipal de Exposições
CEP 89270-000 - Guaramirim - SC - Brasil
Phone: (55-47) 337 36 400
Telefax: (55-47) 337 36 499
Email: coficalrenk@uol.com.br

OMEGA RENK BEARINGS PVT. LTD.
Anand Nagar, Raisen Road
Bhopal - 462 021
India
Phone: (91 -7 55) 5 28 45 61
Telefax: (91 -7 55) 2 75 16 26
Email: omtec@bsnl.in

*) All other countries will be served from
the German headquarter Hannover Works

RENK AKTIENGESELLSCHAFT

Werk Hannover

Weltausstellungsallee 21
30539 Hannover
Germany
Phone: + 49 (5 11) 86 01-0
Fax: + 49 (5 11) 86 01-182
Email: info.hannover@renk.biz

www.renk.eu