



# ADHT

HIGH TEMPERATURE  
COOLING COIL ADAPTOR



- FOR USE WITH STEAM OR HOT GASSES
- REDUCES THE TEMPERATURE OF MEDIA BEFORE CONTACT WITH TRANSDUCER
- AVAILABLE WITH 1/4" AND 1/2" BSP MALE CONNECTION
- FOR USE WITH MEDIA UP TO 200°C
- SAFE TO USE WITH PRESSURE RANGES UP TO 400BAR
- STAINLESS STEEL SAE316

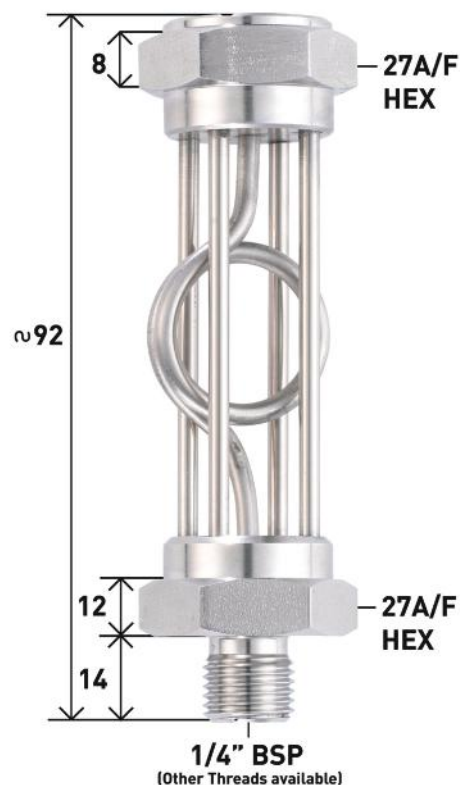
DIMENSIONS (in mm)

## DESCRIPTION

The ADHT Cooling Coil Adaptor provides thermal isolation for a pressure transducer from hot liquid or gas media.

It is an ideal solution for applications where the media temperature exceeds the rating of a pressure transducer or transmitter. The Cooling Coil adapter will reduce the temperature of the media approximately one fifth before it makes contact with the transducer sensing element. The ADHT can be used with media up to 200°C and with pressure ranges up to 400bar max. Constructed entirely from 316L stainless steel, it offers a simple yet effective solution to high temperature applications when used with ESI pressure sensors.

Model	Connection to transducer	Process Connection
ADHT25	1/4" BSP female	1/4" BSP male DIN3852-A
ADHT25-E	1/4" BSP female	1/4" BSP male DIN3852-E with Viton Gasket
ADHT50	1/4" BSP female	1/2" BSP male



**DISCLAIMER** :ESI Technology Ltd operates a policy of continuous product development. We reserve the right to change specification without prior notice. All products manufactured by ESI Technology Ltd are calibrated using precision calibration equipment with traceability to international standards.



t. +44(0)1978 262 255 e. sales@esi-tec.com

www.esi-tec.com