



Protran® PR3420

Sludge Platform Submersible
Depth/Level Pressure Transmitter



- Sludge Platform to raise sensor above sediment level
- Piezoresistive sensor technology for excellent stability and repeatability
- Robust stainless steel construction
- Reliable pressure measurement
- Pressure ranges available from 0-1 mWG
- High strength, moulded cable for protection against ingress
- ATEX/IECEX option available (includes M1 for mining applications)





Protran® PR3420

Sludge Platform Submersible
Depth/Level Pressure Transmitter

Description

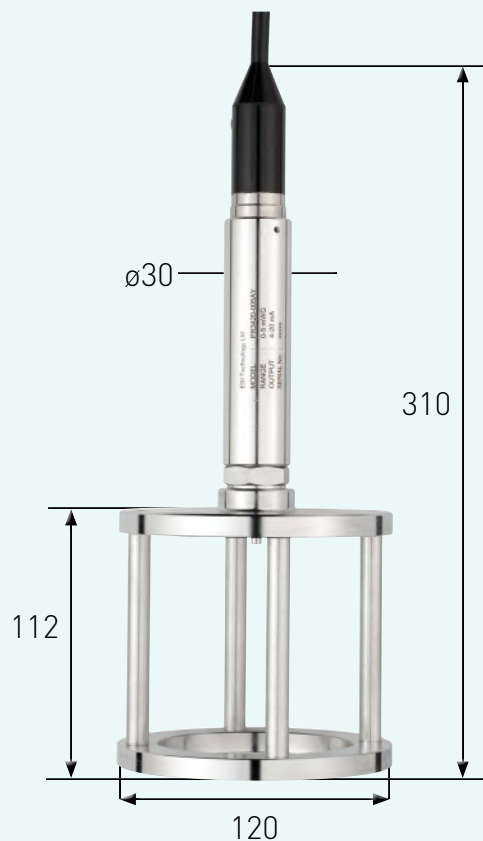
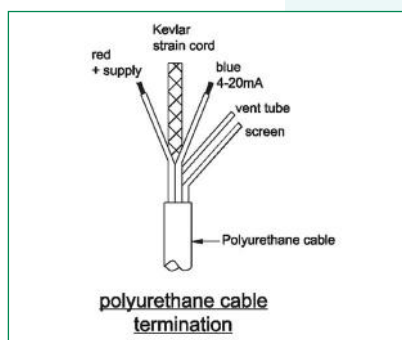
The PR3420 submersible depth and level transmitter has been designed for accurate level measurement where sediment is present. The integral sludge platform ensures that the sensing element is elevated above the sediment level.

The submersible range of pressure transmitters has been designed for the accurate measurement of the depth and level of liquids in many applications. Standard output signal is 4-20 mA, and electrical connection is via a high strength moulded cable with integral tube for trouble-free venting to the surface atmosphere.

An optional ATEX and IECEx approved version of this product is available for explosion protection for flammable gases (zone 0), dusts (zone 20) and mining areas (group I MI).

Dimensions (in mm)

ELECTRICAL CONNECTION (mA)	
Red	+supply
Blue	4-20mA signal
Screen	to case





Protran® PR3420

Sludge Platform Submersible
Depth/Level Pressure Transmitter

Technical Data

Type:	PR3420	PR3421	PR3422
Sensor Technology:	Isolated Piezoresistive Silicon		
Output signal:	4-20 mA (2 wire)	0-5 Vdc (4 wire)	0-10 Vdc (4 wire)
Supply Voltage:	13 -36 VDC	13 -30 VDC	13 -30 VDC
Pressure Reference:	Vented Gauge		
Protection of Supply Voltage:	Protected against supply voltage reversal up to 50 V		
Lightening Protection:	On Request		
Standard Pressure Ranges (mWG):	0-1 mWG; 0-10 mWG; 0-20 mWG; 0-50 mWG; 0-100 mWG; 0-250 mWG; 0-500 mWG (other options available)		
Standard Pressure Ranges (psi):	0-3 psi; 0-5 psi; 0-7.5 psi; 0-10 psi; 0-15 psi; 0-30 psi; 0-50 psi; 0-100 psi; 0-200 psi; 0-300 psi (other options available)		
Overpressure Safety:	2x all ranges		
Load Driving Capability:	4-20 mA: $RL < [UB - 13 V] / 20 \text{ mA}$; (e.g. with supply voltage (UB) of 36V, max. load (RL) is 1150 Ω ; 10 mV/V: n/a; 0-5 V: max. load $RL > 5 \text{ K}\Omega$; 0-10 V: max. load $RL > 10 \text{ K}\Omega$		
Accuracy NLHR:	$\leq \pm 0.3 \%$ of span BFSL		
Zero Offset and Span Tolerance:	$\pm 0.5\%$ FS at room temperature		
Operating Ambient Temperature:	-20 °C - +60 °C (-4 °F to +140 °F)		
Operating Media Temperature:	Media must not freeze around the sensor		
Storage Temperature:	+5 °C to +40 °C (+41 °F to +104°F) Recommended Best Practice		
Temperature Effects:	$\pm 2.0\%$ FS total error band for -20 °C - +60 °C. Typical thermal zero and span coefficients $+/-0.03\%$ FS/°C		
ATEX/IECEX Approval Option:	Ex II 1 G Ex ia IIC T4 Ga (zone 0) Ex II 1 D Ex ia IIIC T135°C Da (zone 20) Ex I M 1 Ex ia I Ma (group 1 M1)		
ATEX/IECEX Safety Values:	U _i = 28 V I _i = 119 mA P _i = 0.65 W L _i = 0.1 μ H C _i = 62 nF Temperature Range = -20 °C to +70 °C Max. cable length = 105 m		
Electromagnetic Compatibility:	Emissions: EN61000-6-4; Immunity: EN61000-6-2; Certification: CE Marked		
Insulation Resistance:	> 100 M Ω @ 50 VDC		
Wetted Parts:	303 or 316L stainless steel housing and diaphragm, polyurethane cable and nitrile (NBR) o-ring seal		
Pressure Media:	All fluids compatible with 303/316L stainless steel and Nitrile		
Pressure Connection:	Sludge platform		
Electrical Connection:	Submersible black polyurethane cable moulded to housing. With integral screen, Kevlar strain cord and vent tube. Conductor size 7/0.20 mm (24 AWG), resistance 8.9 Ω / 100 m (x2)		



Protran[®] PR3420

Sludge Platform Submersible
Depth/Level Pressure Transmitter

Order Matrix

Output	Wires	Type	Electrical Connector	Pressure Range	Process Connection
4-20 mA	4	PR3420			
Electrical Connection / Option					
No special option required			-		
Cable outlet 1m screened			EX		
Pressure Range in mWG (Metres Water Gauge)					
0-1 mWG				0001	
0-5 mWG				0005	
0-10 mWG				0010	
0-50 mWG				0050	
0-100 mWG				0100	
0-250 mWG				0250	
0-500 mWG				0500	
Process Connection					
Sludge platform					AY

Cable

Cable length is specified by adding a 3 digit numeric code as a suffix to the part number.
 Example -010 = 10 metres.
 Max cable length; 500 metres

Order Number Example

PR3420-0010AX-010

For options not listed please contact sales team.

DISCLAIMER : ESI Technology Ltd operates a policy of continuous product development. We reserve the right to change specification without prior notice. All products manufactured by ESI Technology Ltd are calibrated using precision calibration equipment with traceability to international standards.



t. +44(0)1978 262 255
 e. sales@esi-tec.com

www.esi-tec.com