



Hispec[®] HI2000

High Precision Pressure Transducer



- High accuracy and performance
- Silicon-on-Sapphire sensor technology for outstanding stability
- Pressure ranges to 1,500 bar
- Titanium wetted parts for excellent chemical compatibility
- High thermal stability over wide operating temperature
- ATEX/IECEX option available (includes M1 for mining applications)





Hispec[®] HI2000

High Precision Pressure Transducer

Description

The HISPEC HI2000 series of pressure transducers with state-of-the-art Silicon-on-Sapphire sensor technology offer levels of accuracy and performance previously unobtainable or prohibitively expensive.

The unique Silicon-on-Sapphire sensor technology provides outstanding performance and gives excellent stability over a wide temperature range. The advanced sensor design consists of a piezoresistive silicon strain gauge circuit, which is epitaxially grown onto the surface of a sapphire diaphragm to form a single crystalline structure. The sapphire sensor element is then molecularly bonded to a Titanium alloy sub-diaphragm. This enables the sensor to endure higher over-pressures and provides superb corrosion resistance. The sensor exhibits virtually no hysteresis and excellent long-term stability. With outstanding insulation properties, the sapphire substrate allows the sensor to operate over a very wide temperature range without loss of performance.

A TEDS (Transducer Electronic Data Sheet) version is available. A TEDS contains the critical information needed by an instrument or measurement system to identify, characterize, interface, and properly use the signal from an analog sensor. IEEE 1451.4 defines the method of encoding TEDS information for a broad range of sensor types and applications.

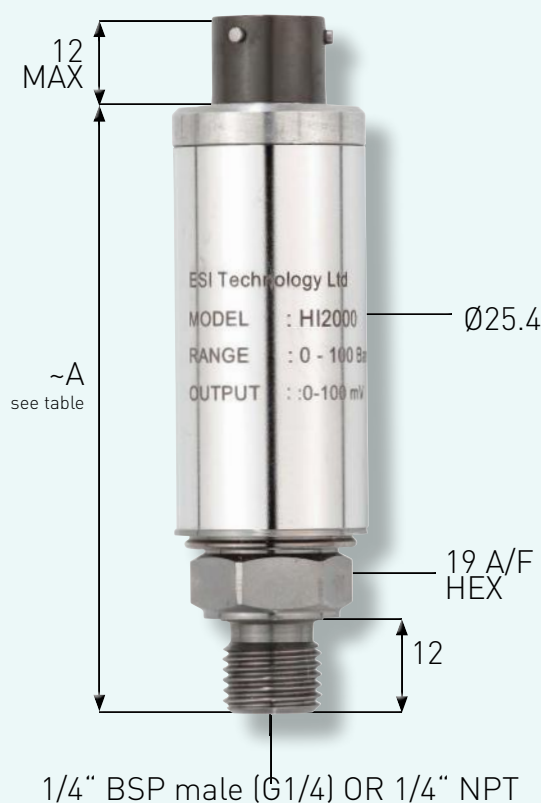
Applications include aerospace, laboratory and test, oil and gas monitoring equipment (down-hole) and subsea. Available in pressure ranges from 0-500 mbar to 0-1,500 bar and with electrical outputs of 10 mV/V, 0-5 dc and 0-10 Vdc.

An optional ATEX and IECEx approved version of this product is available for explosion protection for flammable gases (zone 0), dusts (zone 20) and mining areas (group I MI).

Dimensions (in mm)

ELECTRICAL CONNECTION MIL-C-26482	
Pin.	Designation
A	+supply
B	+output
C	-output
D	-supply
E	N/C
F	N/C

ELECTRICAL CONNECTION CABLE OUTLET	
WIRE COLOUR	Designation
RED	+supply
GREEN	+output
YELLOW	-output
BLUE	-supply



	Dim. A
HI2000	80
HI2001/2	95
HI2010	80
HI2011/1295	



Hispec[®] HI2000

High Precision Pressure Transducer

Technical Data

Type:	HI2000/HI2010	HI2xx1/ HI2xx4	HI2xx2/ HI2xx5
Sensor Technology:	Silicon-on-Sapphire (SoS)		
Output signal:	10 mV/V (4 wire)	0 - 5V (4 or 3 wire)	0 - 10V (4 or 3 wire)
Supply Voltage:	10 VDC (5-15V)	13-30 VDC	13-30 VDC
Pressure Reference:	Gauge		
Protection of Supply Voltage:	n/a	Protected against supply voltage reversal up to 50 V (amplified versions)	
Standard Pressure Ranges (bar):	0-1 bar Vac; 0-1 bar; 0-10 bar; 0-25 bar; 0-100 bar; 0-250 bar; 0-400 bar; 0-600 bar; 0-1,000 bar; 0-1,500 bar (other ranges available)		
Standard Pressure Ranges (psi):	0-30 in Hg; 0-15 psi; 0-150 psi; 0-300 psi; 0-1,500 psi; 0-3,000 psi; 0-6,000 psi; 0-10,000 psi; 0-15,000 psi; 0-20,000 psi (other ranges available)		
Overpressure Safety:	4x for 0.5 bar range; 2 x for ranges 1 bar to 600 bar; 1.5x for 1,000 bar range; 1.1x for 1,500 bar range		
Load Driving Capability:	10 mV/V: n/a; 0-5 V: max. load RL > 5 KΩ; 0-10 V: max. load RL > 10 KΩ		
Accuracy NLHR:	≤ ±0.1 % of span BFSL		
Zero Offset and Span Tolerance:	±0.5% FS at room temperature (HI2000/HI2010: ±1 mV)		
Operating Ambient Temperature:	-40 °C to +85 °C (-40 °F to +185 °F)		
Operating Media Temperature:	-50 °C to +125 °C (-58 °F to +257 °F)		
Storage Temperature:	+5 °C to +40 °C (+41 °F to +104°F) Recommended Best Practice		
Temperature Effects:	±1.0 %FS total error band for -20 °C to +70 °C. Typical thermal zero and span coefficients ±0.005 %FS/ °C		
ATEX/IECEX Approval Option (mV version only):	Ex II 1 G Ex ia II CT4 Ga (zone 0) Ex II 1 D Ex ia II CT135 °C Da (zone 20) Ex I M 1 Ex ia I Ma (group 1 M1)	n/a	n/a
ATEX/IECEX Safety Values:	Ui = 28 V; li = 119 mA Pi = 0.65 W ; Li = 0.1 μH Ci = 0; Temperature Range = -20 °C to +70 °C Max. cable length = 50 m	n/a	n/a
TEDS:	IEEE 1451.4 Sensor TEDS (contact sales for more information)		
Electromagnetic Capability:	Emissions: EN61000-6-4 Immunity: EN61000-6-2 Certification: CE Marked		
Insulation Resistance:	> 100 MΩ @ 50 VDC		
Response time 10-90 %:	1 mS		
Wetted Parts:	Titanium alloy		
Pressure Media:	All fluids compatible with Titanium alloy		
Pressure Connection:	1/4" BSP male (G1/4) or 1/4" NPT male (others options available)		
Electrical Connection:	HI200x: PTFE insulated flying lead, conductor size 7/0.1 mm. HI201x: MIL-C-26482 6 pin bayonet connector (Accessory not included: mating connector type MS3116F10-6S).		



Hispec[®] HI2000

High Precision Pressure Transducer

Order Matrix

Output		Wires	Type	Electrical Connector	Pressure Range	Process Connection			
10 mV/V	Cable outlet 1m PTFE	4	HI2000						
0-5 V		4	HI2001						
		3	HI2004						
0-10 V		4	HI2002						
		3	HI2005						
10 mV/V	MIL-C-26482 6 pin bayonet	4	HI2010						
0-5 V		4	HI2011						
		3	HI2014						
0-10 V		4	HI2012						
		3	HI2015						
Electrical Connection / Option									
No special option required							-		
ATEX/ IECEx certified (HI2000 & HI2010 only)				EX					
Pressure Range in bar									
0-1 barVac					V001				
0-1 bar					0001				
0-10 bar					0010				
0-25 bar					0025				
0-100 bar					0100				
0-250 bar					0250				
0-400 bar					0400				
0-600 bar					0600				
0-1,000 bar					1000				
0-1,500 bar					1500				
Process Connection									
1/4" BSP male (G1/4)						AB			
1/4" NPT male						AM			

Order Number Example

HI2000EX0020AB

For options not listed please contact sales team.

DISCLAIMER : ESI Technology Ltd operates a policy of continuous product development. We reserve the right to change specification without prior notice. All products manufactured by ESI Technology Ltd are calibrated using precision calibration equipment with traceability to international standards.



t. +44(0)1978 262 255
e. sales@esi-tec.com

www.esi-tec.com